



Chopper 6500 HSK

Pneumatic taper change

Item no. **11507001-01**

HF-Spindle for high-speed milling, -grinding, -drilling, -engraving

Bearings

Hybrid ball bearing (pcs)	4
Lifetime lubricated	maintenance free

Motor

Motor technology	3-phase asynchronous drive (no brushes or sensors)
Frequency	800 Hz
Motor poles (pairs)	2
Rated rotation speed	24.000 rpm
Acceleration/braking value Per second	10 000 rpm (other values by consultation)

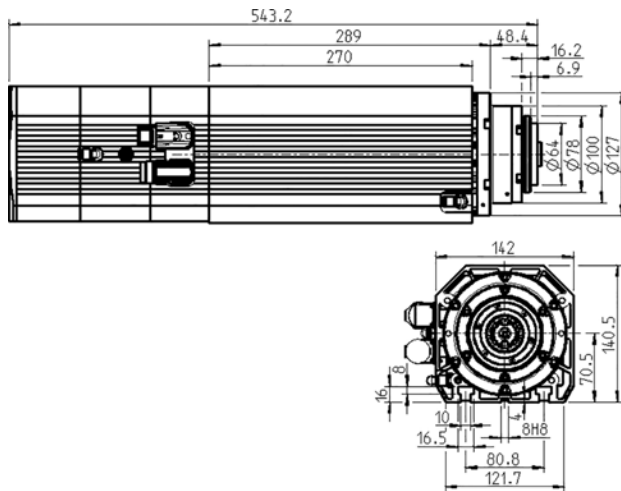
Power values

Fan cooled

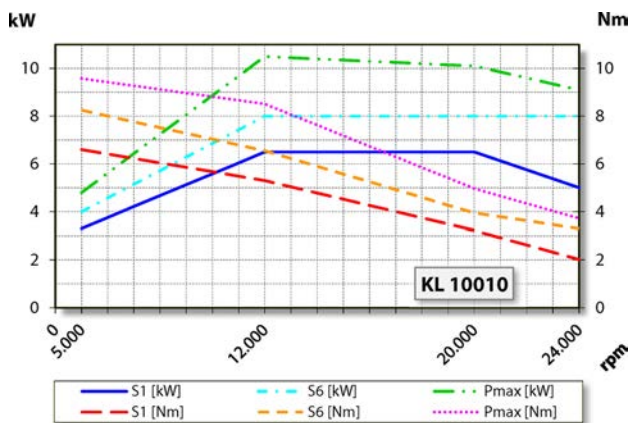
	Pmax./5s	S6-60%	S1-100%	
Rated power	10,5	8	6,5	[kW]
Torque	9,6	8,3	6,6	[Nm]
Voltage	363	347	330	[V]
Current	22	20	13	[A]

Chopper 6500 HSK

Pneumatic taper change
Item no. 11507001-01



Dimensions



Performance Diagram

Fan cooled

Measurement of power is funded by in-house testing.

Characteristics

Speed sensor	Differential magneto resistor (TTL) Number of signals = 6
Motor protection	PTC 130°C
Housing	Aluminium
Housing diameter	142 mm
T-slots	DIN 650-10
Spindle holder integrated	
Cooling	Fan-cooled (1 electric fan)
Heat dissipation	Via the housing
Housing temperature	< + 75°C
Ambient temperature	+ 10°C ... + 45°C
Sealing air	
Protection category (sealing air turned on)	IP54
Taper cleaning	
Tool change	Pneumatic taper change
Tool Holder	HSK-E 50 + HSK-F 63
Tool change monitoring	inductive
2 positions	clamped, ejected
Clamping range up to	20 mm
Clockwise and anticlockwise	
Coupler plug	9-pin (SpeedTEC) (motor phases) 12-pin (sensors)
Weight	~ 27 kg
Inner taper run out	< 2 µ
Axial run-out	< 2 µ